

1254

TWELVE FIFTY FOUR INDUSTRIES

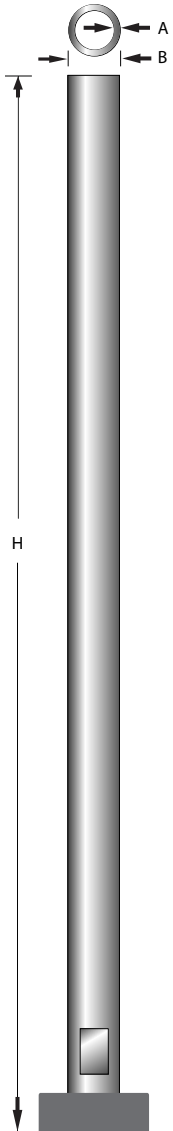
ALUMINUM NON TAPERED ROUND 12P-ANTR SERIES POLES

CONSTRUCTION

Poles – Round straight aluminum poles are extruded from 6063 alloy aluminum then heat treated to a T6 condition.

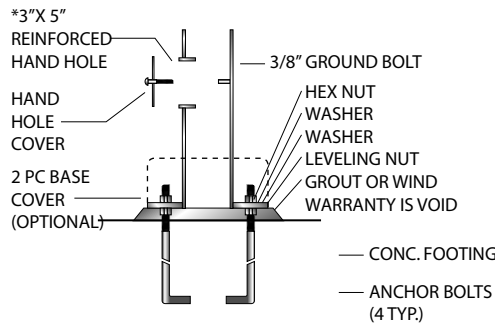
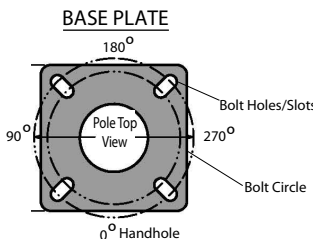
Base Plate – The base plate is cast from 356 alloy aluminum, heat treated to a T6 condition. The base plate telescopes onto the pole base then gets welded circumferentially on top and bottom.

Anchor Bolts – Anchor bolts are fabricated from carbon steel round bar and conform to ASTM F1554. Bolts have an “L” bend on one end and are galvanized in accordance with ASTM-A-153. Each anchor bolt is furnished with two hex nuts and two flat washers.



12P-ANTR - 1254 POLES - ALUMINUM NON TAPERED ROUND - CHART

MODEL NUMBER	SHAFT SIZE O.D. (in) (B)	WALL THK (in) (A)	POLE HEIGHT (H)	BASE PLATE (in)	BASE PLATE THK (in)	BOLT CIRCLE (in)	ANCHOR BOLT SIZE (in)
30012596	3.00	0.125	8	7	0.5	7	.75 x 18 x 4
300125120	3.00	0.125	10	7	0.5	7	.75 x 18 x 4
300125144	3.00	0.125	12	7	0.5	7	.75 x 24 x 4
30188168	3.00	0.188	14	7	0.5	7	.75 x 24 x 4
400125120	4.00	0.125	10	9.5	0.75	9.5	.75 x 18 x 4
400125144	4.00	0.125	12	9.5	0.75	9.5	.75 x 24 x 4
400125168	4.00	0.125	14	9.5	0.75	9.5	.75 x 24 x 4
400125180	4.00	0.125	15	9.5	0.75	9.5	.75 x 24 x 4
400125192	4.00	0.125	16	9.5	0.75	9.5	.75 x 24 x 4
400125216	4.00	0.125	18	9.5	0.75	9.5	.75 x 24 x 4
400125240	4.00	0.125	20	9.5	0.75	9.5	.75 x 24 x 4
400125264	4.00	0.125	22	9.5	0.75	9.5	.75 x 24 x 4
400188216	4.00	0.188	18	9.5	0.75	9.5	.75 x 24 x 4
400188240	4.00	0.188	20	9.5	0.75	9.5	.75 x 36 x 4
500125120	5.00	0.125	10	9.5	0.75	9.5	.75 x 18 x 4
500125144	5.00	0.125	12	9.5	0.75	9.5	.75 x 24 x 4
500125168	5.00	0.125	14	9.5	0.75	9.5	.75 x 24 x 4
500125180	5.00	0.125	15	9.5	0.75	9.5	.75 x 24 x 4
500125192	5.00	0.125	16	9.5	0.75	9.5	.75 x 24 x 4
500125216	5.00	0.125	18	9.5	0.75	9.5	.75 x 24 x 4
500125240	5.00	0.125	20	9.5	0.75	9.5	.75 x 36 x 4
500188216	5.00	0.188	18	9.5	0.75	9.5	.75 x 36 x 4
500188240	5.00	0.188	20	9.5	0.75	9.5	.75 x 36 x 4
500188264	5.00	0.188	22	9.5	0.75	9.5	.75 x 36 x 4
500188288	5.00	0.188	24	9.5	0.75	9.5	1 X 36 X 4



TENON MOUNTING

- TM0 - Plain Top
- TM1 - 2.38" O.D. x 3.00"
- TM2 - 2.38" O.D. x 4.00"
- TM3 - 2.88" O.D. x 3.00"
- TM4 - 2.88" O.D. x 4.00"
- TM5 - 3.00" O.D. x 3.00"
- TM6 - 3.00" O.D. x 4.00"
- TM7 - 3.50" O.D. x 3.50"
- TM8 - 3.50" O.D. x 4.00"
- TM9 - 4.00" O.D. x 4.00"
- TM10 - 4.00" O.D. x 6.00"
- TM11 - Other Tenon (Consult Factory)
- AT - 2-3/8" O.D. X 5" long tenon
- BT - 2-7/8" O.D. X 5" long tenon
- CT - 3" O.D X 5" long tenon

Drill Mount

- DM1.....
- DM2180.....
- DM290.....
- DM390.....
- DM490.....

OPTIONS:

- BC - Two piece square base cover
- DR - Duplex recepticle
- GFI - Ground Fault Interruptor
- Other options contact factory

COLOR:

- Polyester powder fuse coating.
- BZ - Bronze
- BK - Black
- GN - Green
- WT - White
- Other colors contact factory

FINISH:

- 12-P1 - 12-PRO-1 1 COAT POWDER OR LIQUID
- 12-P2 - 12-PRO-2 2 COAT POWDER OR LIQUID, PRIMER & TOP COAT
- 12-P3 - 12-PRO-3 2 COAT POWDER OR LIQUID, ZINC PRIMER & PREMIUM TOP COAT
- 12-P4 - 12-PRO-4 2 COAT POWDER OR LIQUID, ZINC PRIMER & PREMIUM TOP COAT
- ANO - Anodize
- ZM - Zinc Metalize
- HDG - Hot Dip Galvanize
- Other options upon request

ORDERING LOGIC

POLE SERIES #	POLE MOD #	FIXTURE MOUNTING	OPTIONS	COLOR	FINISH
12P-ANTR					
EXAMPLE BELOW					
12P-ANTR	30012596	TM7	BCDR	BK	12P4