

**RGB LED UPLIGHT**  
12FX-LSV-125

**Product Description**

6W LED Landscape light, 12V AC/DC input, black powder coated IP65 water resistant housing. Available in Warm White or RGB color options.

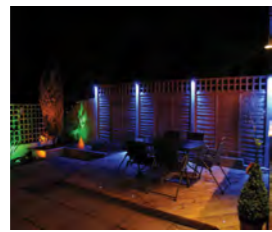
Designed for outdoor use, this uplight works well to highlight trees, shrubs, or for architectural features, paths or landscape applications.

**Product Dimensions**



**Features & Benefits**

- » Innovative solid state COB LED Technology
- » Low power consumption
- » Directly replaces Halogen
- » Low Maintenance Cost
- » Simple to Install



**Specifications**

- » Voltage: 12V DC
- » Wattage: 6W
- » # of LEDs: 1 COB Chip
- » Beam Degree: 45°
- » Color Temperature: RGB WW 3000K/CW6000K
- » Lumens: 350
- » RGB Version uses 4 wire system

**Certifications**



# 1254

TWELVE FIFTY FOUR INDUSTRIES

## RGB LED PALM TREE BAND LIGHT

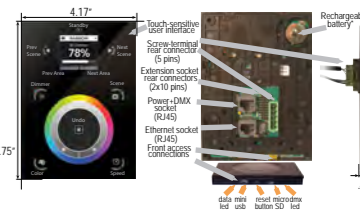
**CONTROL KEYPAD**  
12FX-LSLV-ACC-CKP

**Product Description**

The feature rich lighting controller has been designed to provide a control solution for the most demanding of projects, whilst maintaining an easy to use panel of touch sensitive buttons. The controller integrates a graphical color screen allowing scene photos to be displayed. Easily view the selected zone, scene name and design without the need to navigate through complex menus. Change the speed, color and dimmer using the circular palette. The lighting levels, color and effects can be programmed from a PC, Mac, Android, iPad or iPhone using the included software.

**Features & Benefits**

- » Graphical color display to show selected environment
- » Color/dimmer/speed palette
- » Color temperature mixing
- » Touch sensitive wheel allows for accurate color selection
- » Multi-zone microSD memory
- » Multi-room control with 500 scenes, 10 zones
- » 1024 DMX channels. Control 340 RGB fixtures
- » USB & Ethernet connectivity for programming and control
- » Clock & Calendar with Sunrise/ Sunset triggering
- » Network Connection. Control lighting remotely
- » Windows/ Mac Software to set dynamic colors/ effect
- » iPhone/iPad/ Android remote and programming apps



**Specifications**

- » Input Power: 6-4V DC 0.6A
- » Output Protocol: DMX512 (X2)
- » Available Colors: Black & White
- » Programmability: PC, MAC, Tablet, Smartphone
- » Connections: USB, Ethernet, RS232, Clock, 8 dry contact ports, 5v output Relay
- » Memory: microSD (32Gb Max)
- » Temperature: -10°C-45°C
- » Mounting: Single or double gang wall socket

**Certifications**

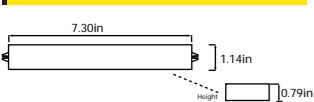
EC, EMC, ROHS, ETL

**30W POWER SUPPLY TRANSFORMER**  
12FX-LSLV-ACC-OPS30

**Product Description**

30W LED Power supply operates all low voltage 12V DC lights on 120V AC systems. This constant voltage transformer will reduce 120V AC power to be used with 12V DC lights. It easily connects to any existing 120V AC wiring.

**Product Dimensions**



**Features & Benefits**

- » Short Circuit and overload protection
- » IP66 - Indoor/outdoor use
- » Working temperature -25°C - +50°C
- » Surface mountable
- » 18" wire leads - Plug included
- » Class 2 power supply

**Specifications**

- » Input: 90-265V AC (50-60Hz)
- » Output: 12V DC
- » Wattage: 30W Max
- » Lead Wires: 18" (Included)
- » Temperature: -25°C - +50°C

**Certifications**



**STANDARD TREE BAND**  
12TB-STD

**Product Description**

Our standard Tree Band is made of stainless steel and can be customized from white lights to RGB patterns. Also available in different sizes and # of lights.

**Product Dimensions**

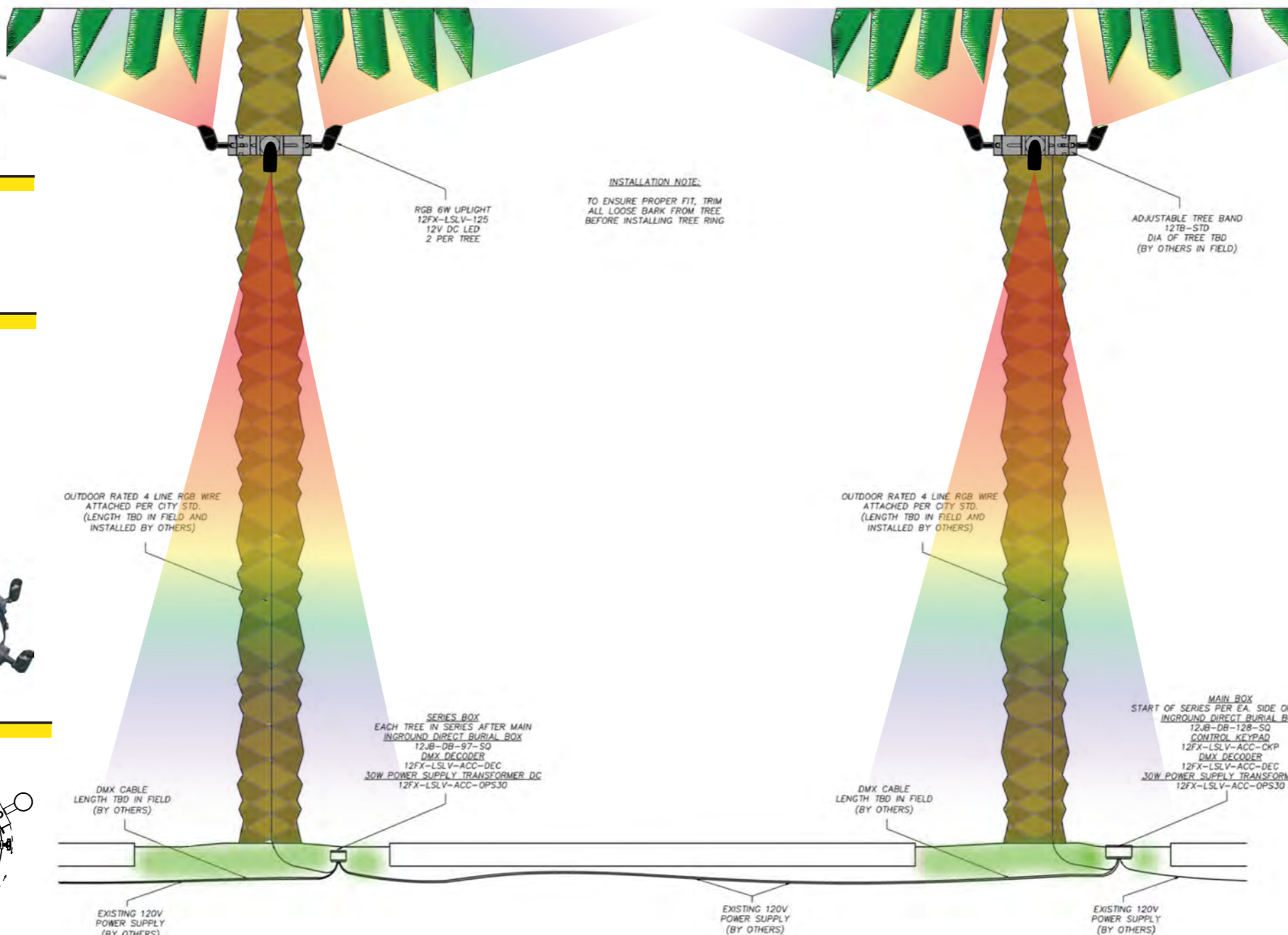
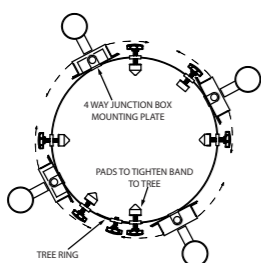
Item Number	Tree Trunk Diameter	Product Number
0817	8" to 17"	12TB-STD-0817
1824	18" to 24"	12TB-STD-1824
2536	25" to 36"	12TB-STD-2536

**Features & Benefits**

- » Adjustable for different size trunks and growth
- » Remote access (RGB) from your phone, tablet or computer



**Specifications**



**DMX DECODER**  
12FX-LSLV-ACC-DEC

**Product Description**

- » 4 output lines can be controlled, perfect for use with RGB LED lights
- » For use with non integrated DMX lights

**Product Dimensions**



**Features & Benefits**

Allows for single source multiple light control DMX stands for Digital MultipleX



**Specifications**

- » Voltage: 12-24V DC Input
- » Output: 4 Channel/ 24 Channel
- » Output Current: Each Channel 4A/ 2A
- » Output Power: 4 Channel 12V (144W) 24 Channel 12V (576W) 24V (1152W)

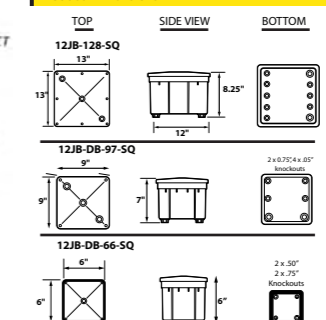
**DIRECT BURIAL JUNCTION BOXES**  
12JB-DB-97-SQ & 12JB-DB-128-SQ

**Product Description**

Non-Metallic Junction Boxes. This rugged box offers all the corrosion resistance and physical properties you need for in-ground junction box applications.

Installation Notes:  
-Must be installed away from standing water  
-Allow for drainage

**Product Dimensions**



**Specifications**

- » Bronze high temperature fiberglass reinforced composite box and cover (heavy duty)
- » Nema 12: below grade enclosure for direct burial applications.
- » 1/2" NPS & 3/4" NPS bottom hubs for line voltage input & feed through. Ships standard with 2 x 1/2" NPS holes; one open one plugged
- » 1/2" NPS hubs on cover for fixture and or photocell mounting (consult factory for details)
- » Neoprene sponge gasket to keep enclosure dry
- » Covers secured with #10 3/4" Flathead Stainless Steel Phillips Screws
- » Beveled Top to allow for drainage