

RGB LED UPLIGHT
12FX-LSV-125

Product Description

6W LED Landscape light, 12V AC/DC input, black powder coated IP65 water resistant housing. Available in Warm White or RGB color options.

Designed for outdoor use, this uplight works well to highlight trees, shrubs, or for architectural features, paths or landscape applications.

Product Dimensions



Features & Benefits

- » Innovative solid state COB LED Technology
- » Low power consumption
- » Directly replaces Halogen
- » Low Maintenance Cost
- » Simple to Install



Specifications

- » Voltage: 12V DC
- » Wattage: 6W
- » # of LEDs: 1 COB Chip
- » Beam Degree: 45°
- » Color Temperature: RGB WW 3000K/CW6000K
- » Lumens: 350
- » RGB Version uses 4 wire system

Certifications



1254

TWELVE FIFTY FOUR INDUSTRIES

RGB LED PALM TREE BAND LIGHT

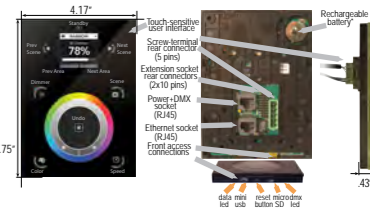
CONTROL KEYPAD
12FX-LSLV-ACC-CKP

Product Description

The feature rich lighting controller has been designed to provide a control solution for the most demanding of projects, whilst maintaining an easy to use panel of touch sensitive buttons. The controller integrates a graphical color screen allowing scene photos to be displayed. Easily view the selected zone, scene name and design without the need to navigate through complex menus. Change the speed, color and dimmer using the circular palette. The lighting levels, color and effects can be programmed from a PC, Mac, Android, iPad or iPhone using the included software.

Features & Benefits

- » Graphical color display to show selected environment
- » Color/dimmer/speed palette
- » Color temperature mixing
- » Touch sensitive wheel allows for accurate color selection
- » Multi-zone microSD memory
- » Multi-room control with 500 scenes, 10 zones
- » 1024 DMX channels. Control 340 RGB fixtures
- » USB & Ethernet connectivity for programming and control
- » Clock & Calendar with Sunrise/ Sunset triggering
- » Network Connection. Control lighting remotely
- » Windows/ Mac Software to set dynamic colors/ effect
- » iPhone/iPad/ Android remote and programming apps



Specifications

- » Input Power: 6-4V DC 0.6A
- » Output Protocol: DMX512 (X2)
- » Available Colors: Black & White
- » Programmability: PC, MAC, Tablet, Smartphone
- » Connections: USB, Ethernet, RS232, Clock, 8 dry contact ports, 5v output Relay
- » Memory: microSD (32Gb Max)
- » Temperature: -10°C-45°C
- » Mounting: Single or double gang wall socket

Certifications

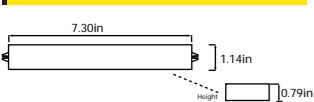
EC, EMC, ROHS, ETL

30W POWER SUPPLY TRANSFORMER
12FX-LSLV-ACC-OPS30

Product Description

30W LED Power supply operates all low voltage 12V DC lights on 120V AC systems. This constant voltage transformer will reduce 120V AC power to be used with 12V DC lights. It easily connects to any existing 120V AC wiring.

Product Dimensions



Features & Benefits

- » Short Circuit and overload protection
- » IP66 - Indoor/outdoor use
- » Working temperature -25°C - +50°C
- » Surface mountable
- » 18" wire leads - Plug included
- » Class 2 power supply

Specifications

- » Input: 90-265V AC (50-60Hz)
- » Output: 12V DC
- » Wattage: 30W Max
- » Lead Wires: 18" (Included)
- » Temperature: -25°C - +50°C

Certifications



STANDARD TREE BAND
12TB-STD

Product Description

Our standard Tree Band is made of stainless steel and can be customized from white lights to RGB patterns. Also available in different sizes and # of lights.

Product Dimensions

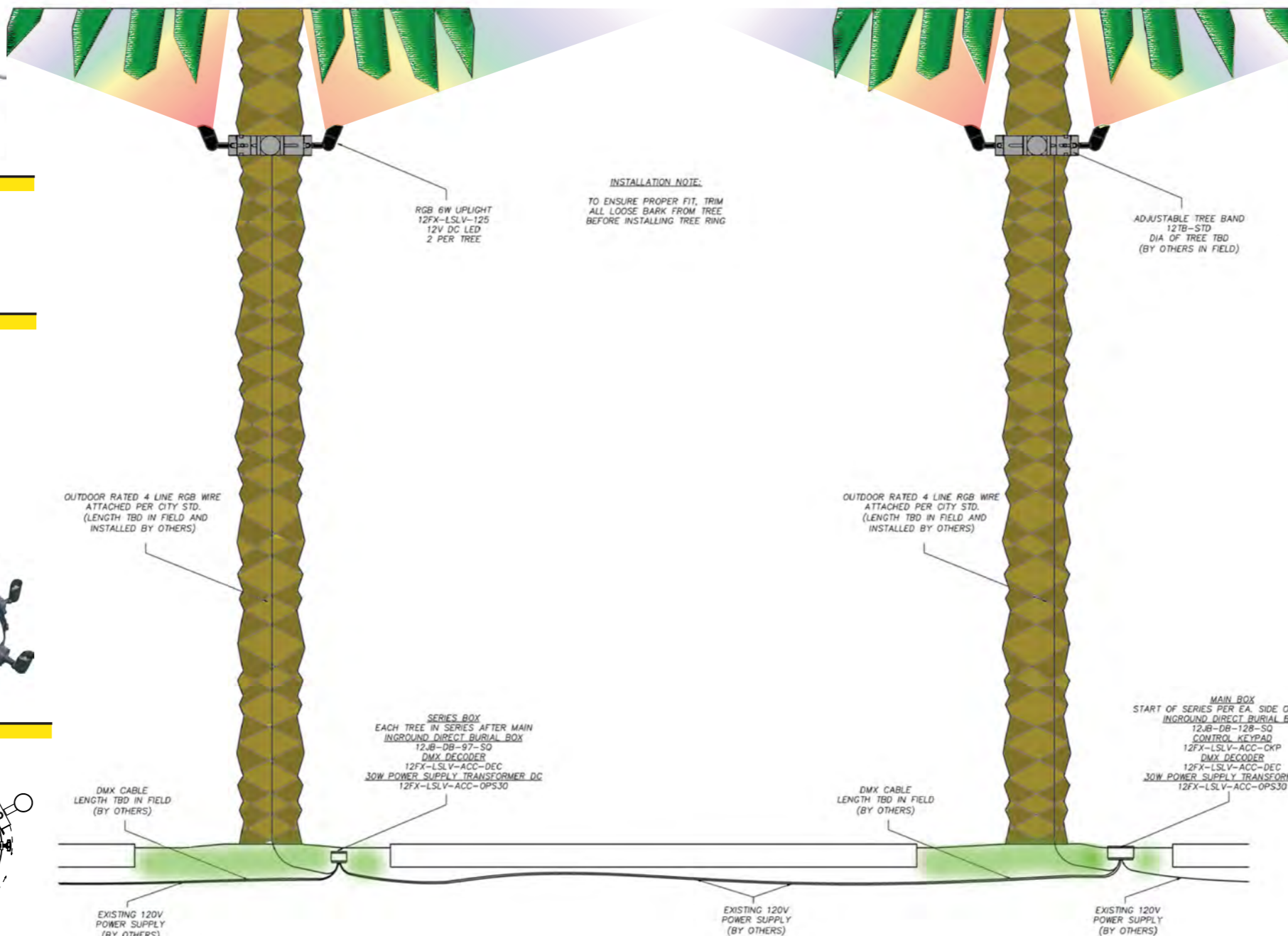
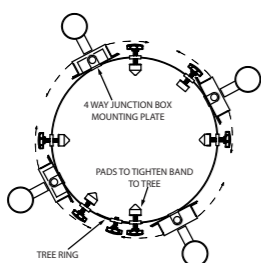
Item Number	Tree Trunk Diameter	Product Number
0817	8" to 17"	12TB-STD-0817
1824	18" to 24"	12TB-STD-1824
2536	25" to 36"	12TB-STD-2536

Features & Benefits

- » Adjustable for different size trunks and growth
- » Remote access (RGB) from your phone, tablet or computer



Specifications



DMX DECODER
12FX-LSLV-ACC-DEC

Product Description

- » 4 output lines can be controlled, perfect for use with RGB LED lights
- » For use with non integrated DMX lights

Product Dimensions



Features & Benefits

- » Allows for single source multiple light control
- » DMX stands for Digital MultipleX



Specifications

- » Voltage: 12-24V DC Input
- » Output: 4 Channel/ 24 Channel
- » Output Current: Each Channel 4A/ 2A
- » Output Power: 4 Channel 12V (144W) 24 Channel 12V (576W) 24V (1152W)

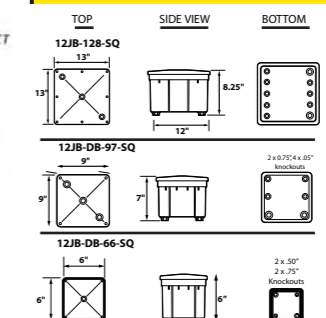
DIRECT BURIAL JUNCTION BOXES
12JB-DB-97-SQ & 12JB-DB-128-SQ

Product Description

Non-Metallic Junction Boxes. This rugged box offers all the corrosion resistance and physical properties you need for in-ground junction box applications.

Installation Notes:
-Must be installed away from standing water
-Allow for drainage

Product Dimensions



Specifications

- » Bronze high temperature fiberglass reinforced composite box and cover (heavy duty)
- » Nema 12: below grade enclosure for direct burial applications.
- » 1/2" NPS & 3/4" NPS bottom hubs for line voltage input & feed through. Ships standard with 2 x 1/2" NPS holes; one open one plugged
- » 1/2" NPS hubs on cover for fixture and or photocell mounting (consult factory for details)
- » Neoprene sponge gasket to keep enclosure dry
- » Covers secured with #10 3/4" Flathead Stainless Steel Phillips Screws
- » Beveled Top to allow for drainage