

1254

TWELVE FIFTY FOUR INDUSTRIES

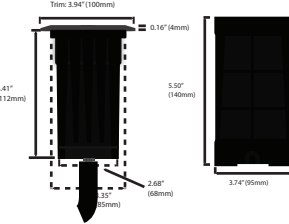
RGB LED PALM TREE WELL LIGHT SYSTEM

LED RGB WELL LIGHT 12FX-LSLV-145

Product Description

This water tight well light is designed for in ground use where a flush, or hidden light would be ideal. Constructed of Stainless Steel and PC.

Product Dimensions



Features & Benefits

- » Excellent for use in in-ground applications
- » Uplighting for concrete & wood
- » Low power - 10W
- » High brightness LED Technology
- » Long lifespan +50,000 hours



Specifications

- » Voltage: 12V DC
- » Wattage: 10W
- » # of LEDs: 1 COB
- » Beam Spread: 90°
- » Color Temperature: RGB
SW2700K/WW3000K
CW4500/6000K
- » Lumens: 10W - 780 Lumens
- » IP Rating: 67
- » Working Temperature: -20-- +55°
- » Cover & Housing: Stainless Steel Cover
PC housing

Certifications



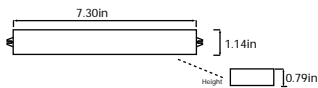
30W POWER SUPPLY TRANSFORMER 12FX-LSLV-ACC-OPS30

Product Description

30W LED Power supply operates all low voltage 12V DC lights on 120V AC systems. This constant voltage transformer will reduce 120V AC power to be used with 12V DC lights. It easily connects to any existing 120V AC wiring.



Product Dimensions



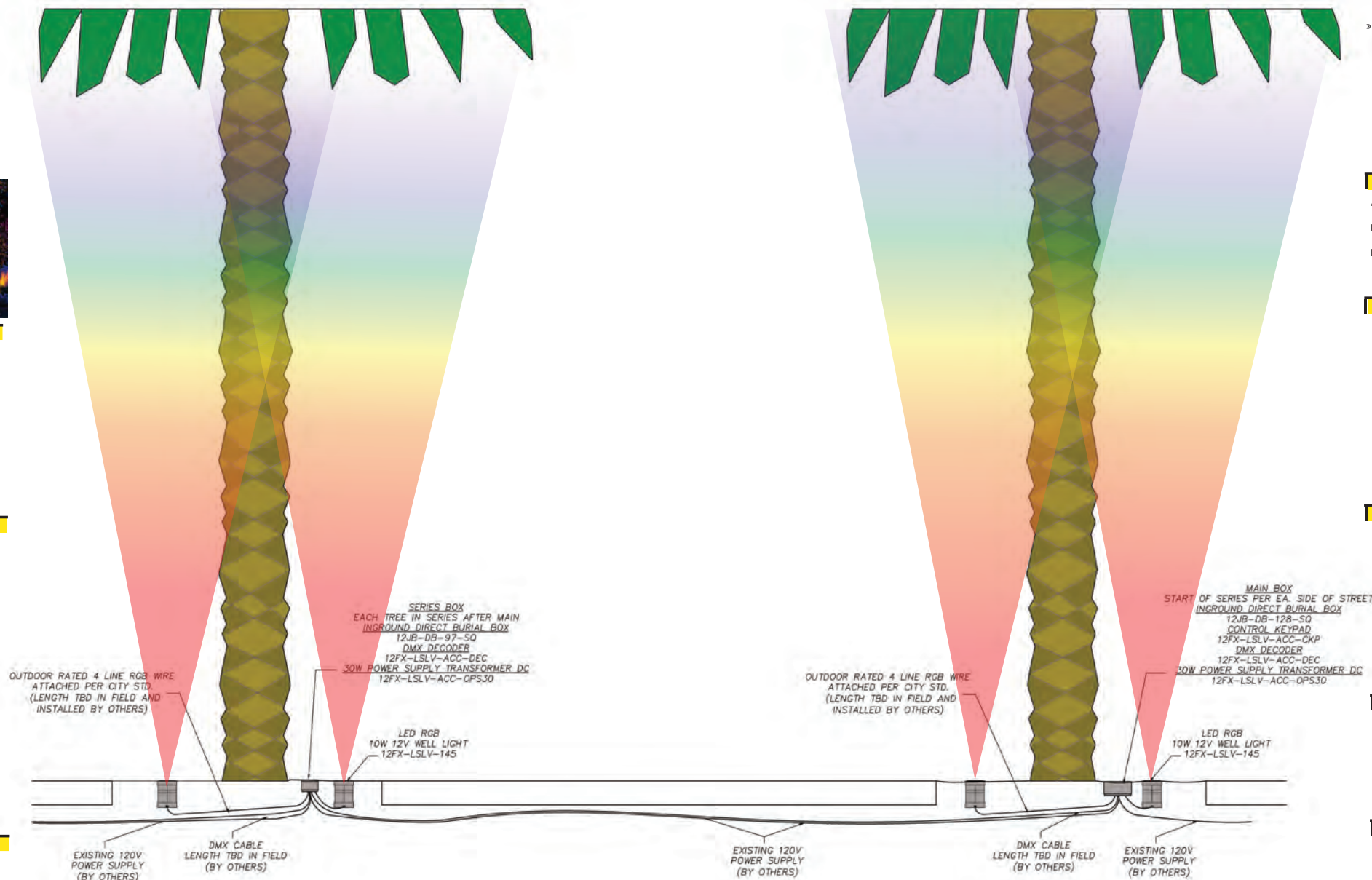
Features & Benefits

- » Short Circuit and overload protection
- » IP66 - Indoor/outdoor use
- » Working temperature -25°C - +50°C
- » Surface mountable
- » 18" wire leads - Plug included
- » Class 2 power supply

Specifications

- » Input: 90-265V AC (50-60Hz)
- » Output: 12V DC
- » Wattage: 30W Max
- » Lead Wires: 18" (Included)
- » Temperature: -25°C - +50°C

Certifications



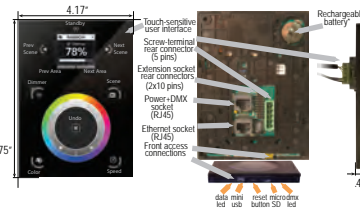
CONTROL KEYPAD 12FX-LSLV-ACC-CKP

Product Description

The feature rich lighting controller has been designed to provide a control solution for the most demanding of projects, whilst maintaining an easy to use panel of touch sensitive buttons. The controller integrates a graphical color screen allowing scene photos to be displayed. Easily view the selected zone, scene name and design without the need to navigate through complex menus. Change the speed, color and dimmer using the circular palette. The lighting levels, color and effects can be programmed from a PC, Mac, Android, iPad or iPhone using the included software.

Features & Benefits

- » Graphical color display to show selected environment
- » Color/dimmer/speed palette
- » Color temperature mixing
- » Touch sensitive wheel allows for accurate color selection
- » Multi-zone microSD memory
- » Multi-room control with 500 scenes, 10 zones
- » 1024 DMX channels. Control 340 RGB fixtures
- » USB & Ethernet connectivity for programming and control
- » Clock & Calendar with Sunrise/ Sunset triggering
- » Network Connection. Control lighting remotely
- » Windows/ Mac Software to set dynamic colors/ effect
- » iPhone/iPad/ Android remote and programming apps



DMX DECODER 12FX-LSLV-ACC-DEC

Product Description

4 output lines can be controlled, perfect for use with RGB LED lights. For use with non integrated DMX lights.

Product Dimensions



Features & Benefits

Allows for single source multiple light control. DMX stands for Digital Multiple X.

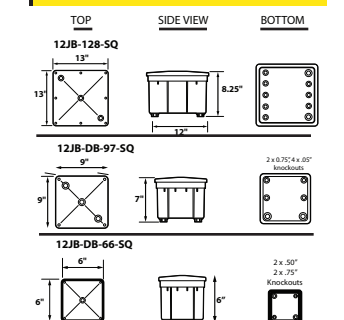
DIRECT BURIAL JUNCTION BOXES 12JB-DB-97-SQ & 12JB-DB-128-SQ

Product Description

Non-Metallic Junction Boxes. This rugged box offers all the corrosion resistance and physical properties you need for in-ground junction box applications.

Installation Notes:
-Must be installed away from standing water
-Allow for drainage

Product Dimensions



Specifications

- » Input Power: 6-4V DC 0.6A
- » Output Protocol: DMX512 (X2)
- » Available Colors: Black & White
- » Programmability: PC, MAC, Tablet, Smartphone
- » Connections: USB, Ethernet, RS232, Clock, 8 dry contact ports, 5v output Relay
- » Memory: microSD (32Gb Max)
- » Temperature: -10°C-45°C
- » Mounting: Single or double gang wall socket

Certifications

EC, EMC, ROHS, ETL



Specifications

- » Voltage: 12-24V DC Input
- » Output: 4 Channel/ 24 Channel
- » Output Current: Each Channel 4A/ 2A
- » Output Power: 4 Channel 12V (144W)
24 Channel 12V (576W)
24V (1152W)



Specifications

- » Bronze high temperature fiberglass reinforced composite box and cover (heavy duty)
- » Nema 12: below grade enclosure for direct burial applications.
- » 1/2" NPS & 3/4" NPS bottom hubs for line voltage input & feed through. Ships standard with 2 x 1/2" NPS holes: one open one plugged
- » 1/2" NPS hubs on cover for fixture and or photocell mounting (consult factory for details)
- » Neoprene sponge gasket to keep enclosure dry
- » Covers secured with #10 3/4" Flathead Stainless Steel Phillips Screws
- » Beveled Top to allow for drainage