

1254

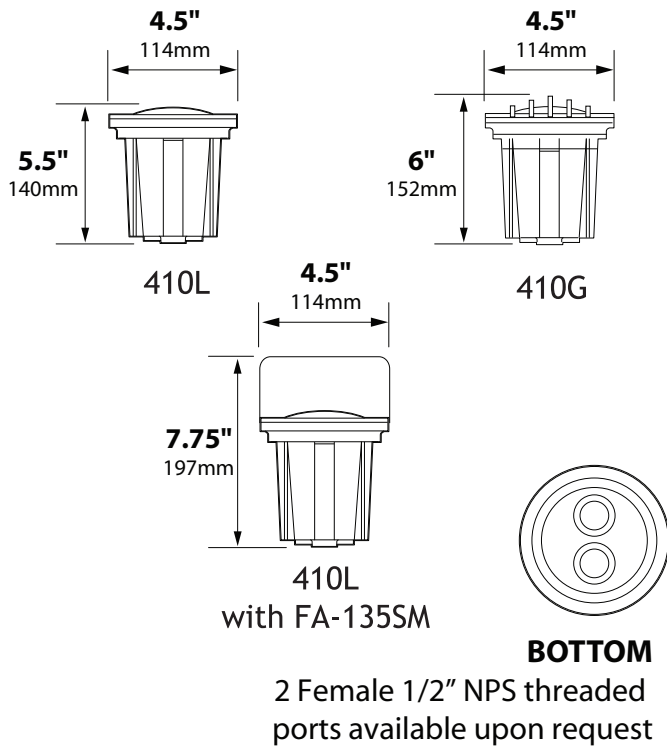
TWELVE FIFTY FOUR INDUSTRIES

**LED
WELL LIGHTS**
12FX-120V-410

Product Description

This water tight spot light is designed for in ground use where a flush, or hidden light would be ideal. Constructed of Fiberglass. For use with our 9W Arrow LED. Optional Finishes Available.

Product Dimensions



Features & Benefits

- » Available with angled cap
- » 2 Female 1/2" NPS threaded ports available upon request



Specifications

- » Construction:
Body- Fiberglass reinforced bronze composite with molded brass inserts for screws.
Lens Holder & Grate- Fiberglass reinforced bronze composite, cast aluminum or cast brass
- » Lens: High Impact clear tempered convex glass
- » Lamp Supplied: None (50w Max); Use only outdoor rated PAR20 lamps
- » Lamp Options: Recommended :9W Arrow LED PAR20; 50,000 Hours Average Rating
- » Socket: High Temperature ceramic medium base with 250°C silicone lead wires
- » Reflector: Highly polished specular aluminum
- » Wiring: Standard 120v Black, White and Ground 9" lead wires
- » Finish: Composite - Bronze
Aluminum Lens Holder/Grate- Black texture polyester powder coat. Optional finishes available.
Brass Lens Holder/Grate- Unfinished Brass. Optional finishes available

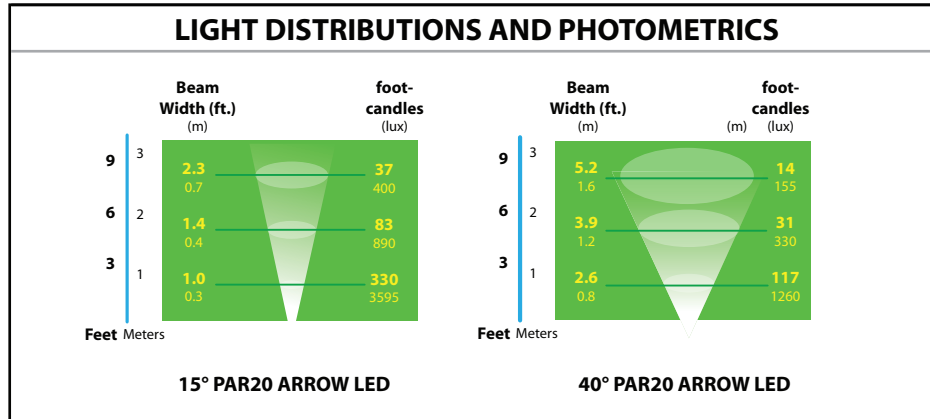
Certifications



1254

TWELVE FIFTY FOUR INDUSTRIES

LED WELL LIGHTS 12FX-120V-410



ORDERING INFORMATION

CATALOG NO.	DESCRIPTION	LAMP SUPPLIED	SHIP WEIGHT
12FX-120V-410	Well Light, Composite Lens Holder	9w PAR20 LED (40°)	2.0 lbs.
12FX-120V-410-BLT	Well Light, Aluminum Lens Holder	9w PAR20 LED (40°)	2.0 lbs.
12FX-120V-410-BRS	Well Light, Brass Lens Holder	9w PAR20 LED (40°)	2.0 lbs.
12FX-120V-410	Well Light, Composite Grate	9w PAR20 LED (40°)	2.0 lbs.
12FX-120V-410	Well Light, Aluminum Grate	9w PAR20 LED (40°)	2.0 lbs.
12FX-120V-410	Well Light, Brass Grate	9w PAR20 LED (40°)	3.0 lbs.

ACCESSORIES

CATALOG NO.	DESCRIPTION
12AC-133SM-BLT / -BRS	Cast Aluminum or Brass Lens Holder
12AC-134SM-BLT / -BRS	Cast Aluminum or Brass Grate
12AC-135SM-BLT / -BRS	Stamped Aluminum or Brass Eyebrow
12AC-08-06	Round 1/4" Mini Cell Louver
12AC-10-SG-SL20SM	Flat Stepped Tempered Glass Lens
12AC-10-SL20SMAMBER	Flat Amber Tempered Glass Lens
12AC-10-SL20SMBLUE	Flat Blue Tempered Glass Lens
12AC-10-SL20SMGREEN	Flat Green Tempered Glass Lens
12AC-10-SL20SMRED	Flat Red Tempered Glass Lens
12AC-98-SL20SM	Flat Linear Tempered Glass Lens (SKYTEX)
12AC-104SB-20	Flat Softener Tempered Glass Lens
12AC-FORM-SL20SM	Concrete form for SL-20-SM Series

Example Order: 12SL-120V-410-L-01-01-BLT

ORDERING INFORMATION

12FX-120V-410 - - - -

1 2 3 4

1. MATERIAL (LENS HOLDER/GRATE)

- 01 : COMPOSITE
- 02 : ALUMINUM
- 03 : BRASS

2. COVER

- G : GRATE
- L : LENS COVER

3. LAMP

- 01: 9W PAR20 LED 40°
- 02: 9W PAR20 LED 15°

4. COLOR

- BLT: BLACK TEXTURE (STANDARD)
- ATV: ANTIQUE VERDE
- BRT: BRONZE TEXTURE
- CAM: CAMEL TONE
- CPR: CHROME POWDER
- HTX: HUNTER TEXTURE
- RBV: RUBBED VERDE
- RST: RUST
- STU: STUCCO
- WBR: WEATHERED BROWN
- WIR: WEATHERED IRON
- BAR: BRASS ACID RUST
- BAV: BRASS ACID VERDE
- BAT: BRASS BLACK ACID