

1254

TWELVE FIFTY FOUR INDUSTRIES

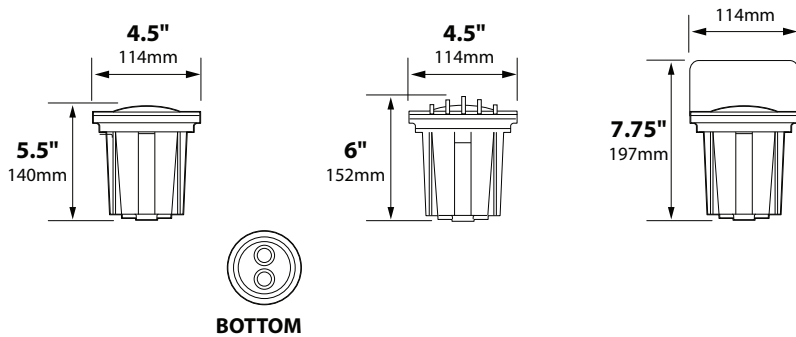
LED
WELL LIGHTS
12FX-12V-225

Product Description

This water tight spot light is designed for in ground use where a flush, or hidden light would be ideal. Constructed of Fiberglass. All types of our MR16 lamps can be used on this unit to achieve the effect you want.



Product Dimensions



Specifications

- » **Construction:**
Body: Fiberglass reinforced bronze composite with molded brass inserts for screws.
Lens Holder & Grate: Fiberglass reinforced bronze composite, cast aluminum or cast brass
- » **Aiming Capability:** 30° (MR16 model only)
- » **Lens:** High Impact clear tempered glass
- » **Lamp Supplied:** 20w MR16 fl(BAB) 5000 hours average rating 50w
- » **Lamp Options:** We recommend ARROW 4w LED (-LED) or 6w (-LED6W); 50,000 hour or ARROW SAVER 4w LED (-LAS); 40,000 hour
- » **Socket:** High temperature ceramic GU3.5 bi-pin with 250° silicone lead wires
- » **Reflector:** Highly polished specular aluminum
- » **Wiring:** Black 4' 18/2 zip cord from base of fixture for 25' 16/2 fixture lead wire
- » **Finish:** Composite - Bronze
Aluminum Lens Holder/Grate- black texture polyester coat, Brass Lens Holder/ Grate- Unfinished Brass.
Optional finishes available

Features & Benefits

- » Heavy Duty Fiberglass reinforced bronze
- » Pressure rubber gasket for a moisture tight design
- » Silicone plug at lead wire exit prevents ground moisture and insects from entering luminaire.
- » Available in 5,000 hours rating

Certifications



1254

TWELVE FIFTY FOUR INDUSTRIES

LED
WELL LIGHTS
12FX-12V-225

Example Order: 12SL-120V-225-A-01-BLT

12FX-12V-225- - -
 1 2 3

ORDERING INFORMATION

1. MATERIAL (LENS HOLDER/GRATE)

A: ALUMINUM
B: BRASS
C: COMPOSITE

2. LAMP

01: 20w MR16 FL (BAB)
02: 4w ARROW LED (BAB)

3. COLOR

BLT: BLACK TEXTURE (STANDARD)
ATV: ANTIQUE VERDE
BRT: BRONZE TEXTURE
CAM: CAMEL TONE
CPR: CHROME POWDER
HTX: HUNTER TEXTURE
RBV: RUBBED VERDE
RST: RUST
STU: STUCCO
WBR: WEATHERED BROWN
WIR: WEATHERED IRON
BAR: BRASS ACID RUST
BAV: BRASS ACID VERDE
BAT: BRASS BLACK ACID