

1254

TWELVE FIFTY FOUR INDUSTRIES

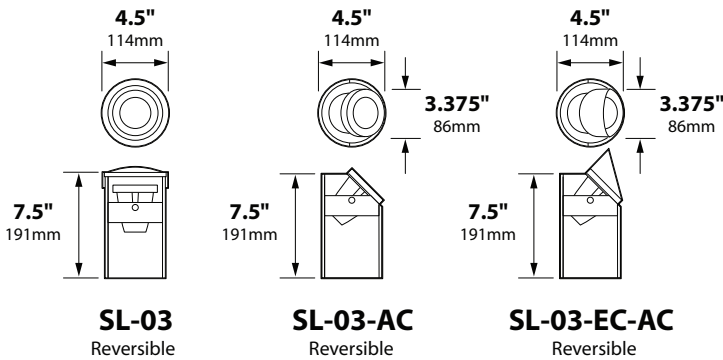
LED
WELL LIGHTS
12FX-12V-235

Product Description

This water tight spot light is designed for in ground use where a flush, or hidden light would be ideal. Constructed of Fiberglass. All types of our MR16 lamps can be used on this unit to achieve the effect you want.



Product Dimensions



Specifications

- » **Construction:** Black extruded ABS housing; cast aluminum or cast brass fixture; cast aluminum or cast brass lens holder & high impact clear tempered convex glass lens
- » **Interior Fixture Lens:** High Impact clear tempered flat glass
- » **Lamp Supplied:** 20w MR16 FL (BAB) 5000 hours average rating (35w max)
- » **Lamp Options:** We recommend 4w ARROW LED or 6w LED; 50,000 hour or ARROW SAVER 4w LED; 40,000 hour
- » **Socket:** High temperature ceramic GU5.3 bi-pin with 250° silicone lead wires
- » **Wiring:** Black 3' 18/2 zip cord from base of fixture (12v only) or 25' 16/2 fixture lead wire
- » **Connection:** Quick Connector (not supplied) from fixture to main cable
- » **Finish:** Aluminum - Black texture polyester powder coat. Optional finishes available.
Brass- Unfinished Brass. Optional finishes available

Features & Benefits

- » Available with angled cap
- » Available with ARROW SAVER LED

Certifications



1254

TWELVE FIFTY FOUR INDUSTRIES

LED
WELL LIGHTS
12FX-12V-235

Example Order: 12SL-12V-235-A-01-BLT

12FX-12V-235- - -
 1 2 3

ORDERING INFORMATION

1. MATERIAL (LENS HOLDER/GRATE)
A: ALUMINUM

2. LAMP
01: 20w MR16 FL (BAB)

3. COLOR
BLT: BLACK TEXTURE (STANDARD)
ATV: ANTIQUE VERDE
BRT: BRONZE TEXTURE
CAM: CAMEL TONE
CPR: CHROME POWDER
HTX: HUNTER TEXTURE
RBV: RUBBED VERDE
RST: RUST
STU: STUCCO
WBR: WEATHERED BROWN
WIR: WEATHERED IRON
BAR: BRASS ACID RUST
BAV: BRASS ACID VERDE
BAT: BRASS BLACK ACID