

1254

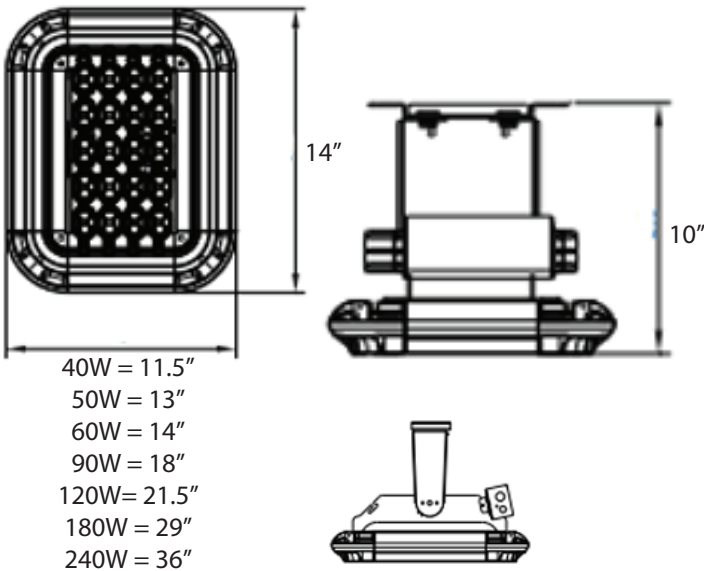
TWELVE FIFTY FOUR INDUSTRIES

AREA/ STREET LIGHT 12FX-ASL-LED-100

Product Description

The Area/ Street Light is a new type of light sourced by high brightness LED. It has a unique double lens design. Every single pixel has 2 chips. It is moistureproof, waterproof and easy to maintain and install.

Dimensions



Features & Benefits

- Ceramic body, no PCB board, heat dissipation is more efficient
- Unique dual-lens design, each pixel contains two chips
- Independent waterproof seal structure
- Shock proof grade lamp
- Multiple optical lens available for different tunnels
- Intelligent dimming support second energy-saving and emission reduction



Specifications

Input Voltage:	90-305VAC
Efficacy:	115lm/W
Power Factor:	≥0.95
CCT:	4000K/ 5000K
CRI:	Ra70
IP Rating:	IP66
Color:	Bronze (RAL8019) Silver (RAL9006)
Lifetime:	120,000 hours to 70% Lumen maintenance (at 25°C)
Operating Temperature:	-40°C - +55°C

Certifications



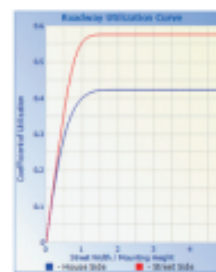
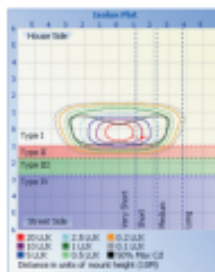
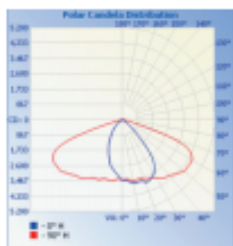
1254

TWELVE FIFTY FOUR INDUSTRIES

AREA/STREET LIGHT 12FX-ASL-LED-100

Lens Model Polar Distribution Isolux Plot Roadway Utilization Curve

TL
Type I short



12FX-ASL-LED-100 - - - -

2 3 4 5

Ordering Information

EXAMPLE: 12FX-ASL-LED-100 - 40 - 40- SL-D

1. Product Series	2. Wattage	3. Color Temperature	4. Enclosure	5. Accessories
12FX-ASL-LED-100	40 = 40W	40 = 4000K	WH = White (RAL9010)	D= Dimmable
AREA/STREET LIGHT	50 = 50W	50 = 5000K	SL = Silver (RAL9006)	RS485
	60 = 60W			PWM
	90 = 90W			0-10V
	120 = 120W			0-5V
	180 = 180W			PLC
	240 = 240W			