

# 1254

TWELVE FIFTY FOUR INDUSTRIES

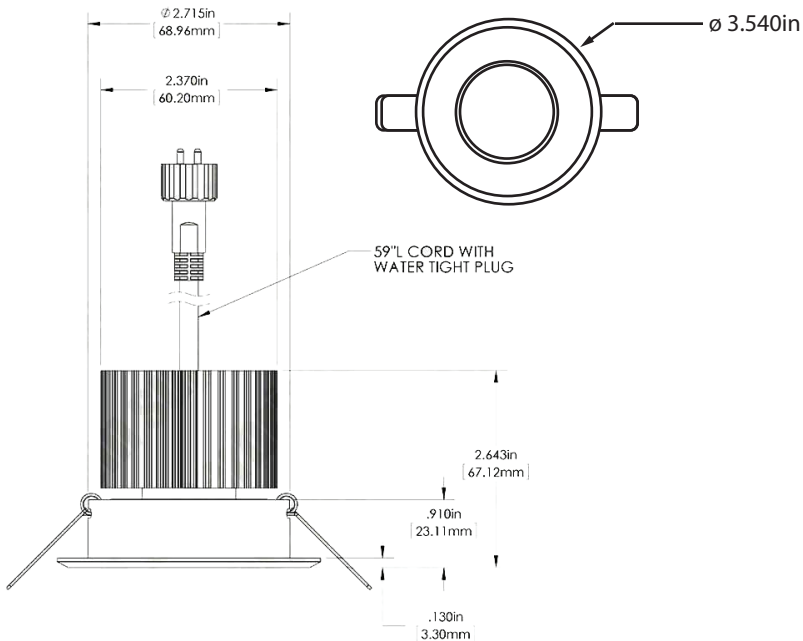
**LED**  
**RGB WELL LIGHTS**  
12FX-SLV-SB3125

## Product Description

This in-ground RGB LED well light is designed for landscape lighting, architectural lighting, garden lighting, tree uplighting, submerged pond lighting, waterparks, and more. Use the well light with an RGB remote for multiple dynamic color-changing modes or static color modes with adjustable brightness levels, and control any number of the well lights individually from up to 5' away. Aim the controller directly at the face of the light. Construction consists of a waterproof aluminum housing with a ground-mounting tube and a stainless steel front bezel. A 2-7/8" diameter hole is required for mounting. This 6-watt LED well light consumes 7.7 watts due to the combination of internal components and has 12 VAC and 12-16 VDC operation. The LED light can be added to a G-LUX wiring system or used in an existing low-voltage landscape wiring system with a G-LUX pigtail power cable.



## Product Dimensions



## Features & Benefits

- » Color Changing and Flashing Patterns
- » Waterproof
- » G-LUX wiring system

## Specifications

- » Material: Aluminum
- » Beam Angle: 60°
- » Current Draw: 640mA
- » LED Quantity: 3 LEDs
- » Connection Type: G-LUX
- » Finish: Silver
- » LED Color: RGB
- » LED Type: CREE
- » Total Power Consumption: 7.7 Watts
- » Volts: 12V AC/ 12~16VDC
- » Wire Length: 59in (150cm)
- » Dimmable: Yes
- » Water Resistance: Waterproof IP68

## Certifications

